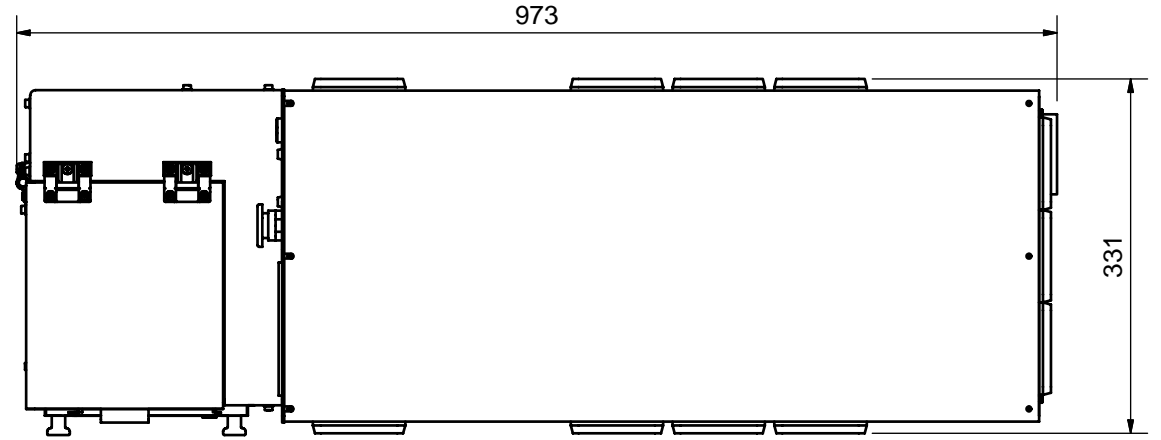
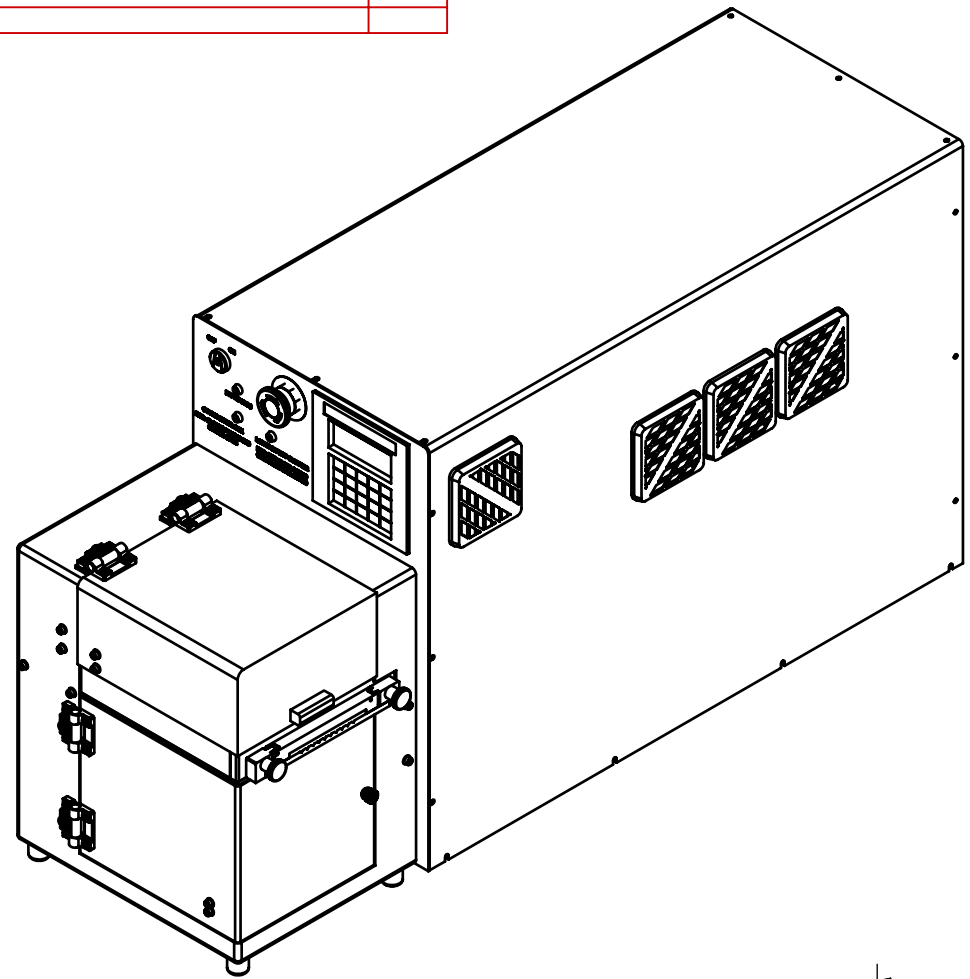
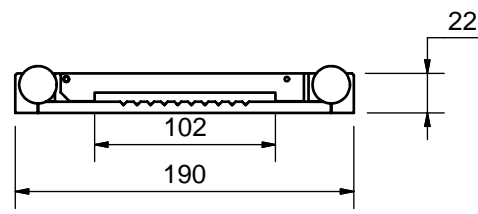
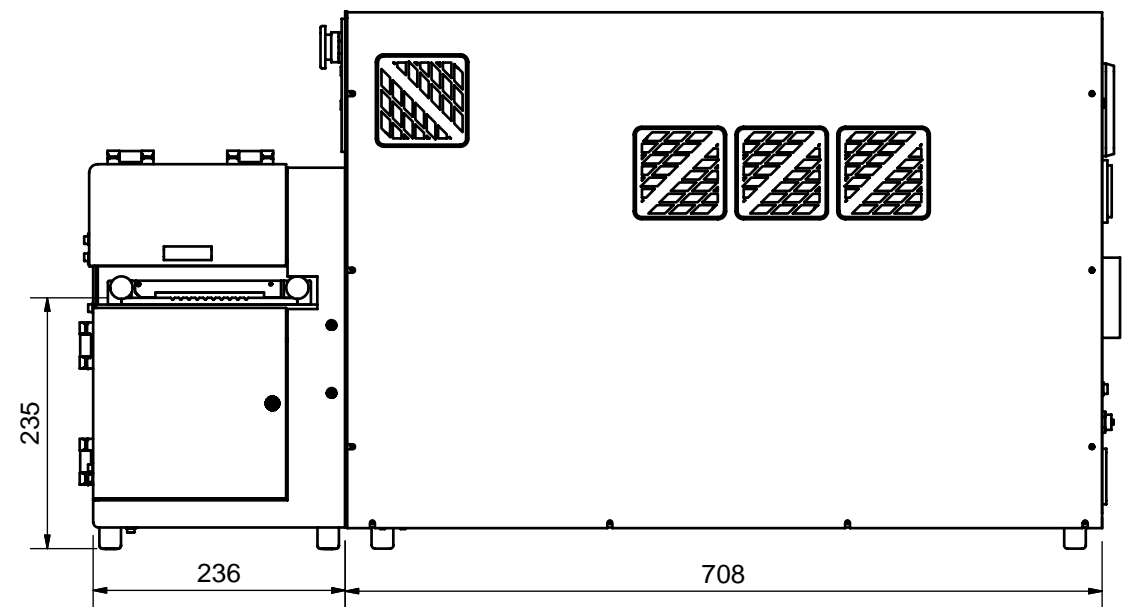
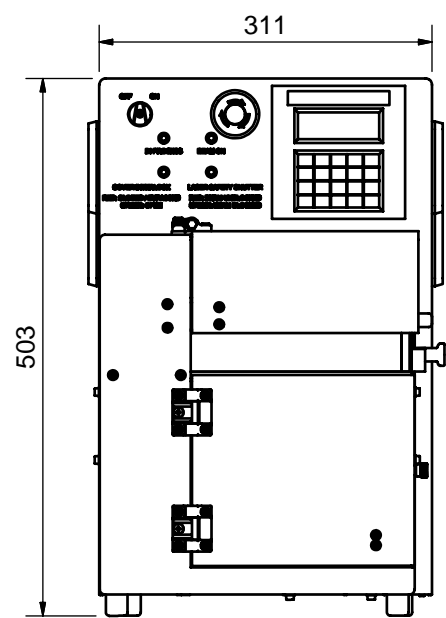
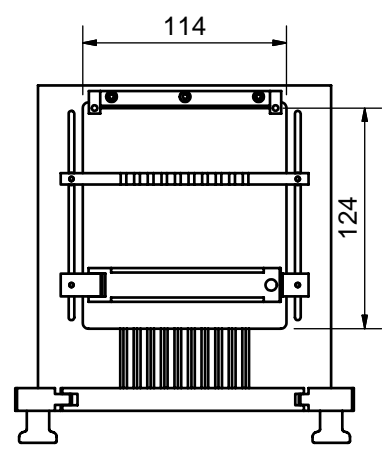


ISSUE	DATE	ECN No	REVISION	REV BY



TOOLING TRAY



	<p>UNSPECIFIED TOLERANCE</p> <p>X ± 0.3 X.X ± 0.2 X.XX ± 0.1 ANGULAR ± 0.5°</p> <p>DIMENSIONS IN MM</p>	<p>SPECTRUM TECHNOLOGIES Spectrum Technologies PLC Western Avenue Bridgend Bridgend CF31 3RT United Kingdom</p>	TITLE General Arrangement SIENNA 210D (side loading)
			<p>DRAWN MWP DATE 13/12/2006</p> <p>MATERIAL</p> <p>FINISH</p>
<p>3RD ANGLE</p> <p>DO NOT SCALE</p>	<p>DRAWN TO BS 308 PARTS 1 & 2</p> <p>THIS DRAWING IS THE PROPERTY OF SPECTRUM TECHNOLOGIES AND SHALL NOT BE COPIED, LOANED OR TRACED WITHOUT THEIR WRITTEN PERMISSION.</p>	<p>DRAWING No General Arrangement</p> <p>REV</p>	